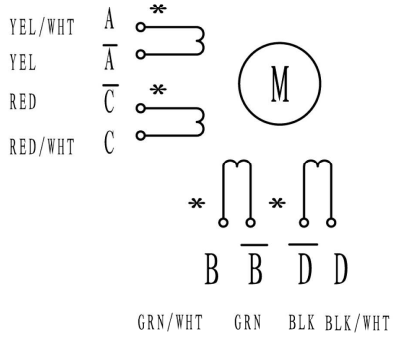


Part No	Connection Type	Phase	Degree	Voltage V	Current A	Resistance Ohm	Inductance mH	Holding Torque Nm	Rotor Inertia g.cm ²	Weight KG
SY60STH86-3008BF	Unipolar	4	1.8	3.9	3	1.3	3.2	2.15	840	1.4
	Bipolar(S)	2		5.46	2.1	2.6	12.8	3		
	Bipolar(P)	2		2.73	4.2	0.65	3.2	3		

Colour Codes:



* start of the coil

Torque Curves

